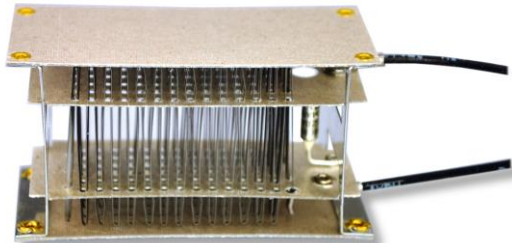


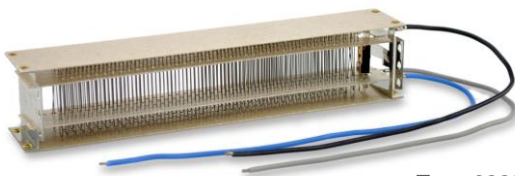
Wire heating elements for fan heaters (cross flow fan) Type 6220 / 6223 / 1206 / 6226 / 6252 / 6255



Type 6220



Type 6252



Type 6223

Typical Applications

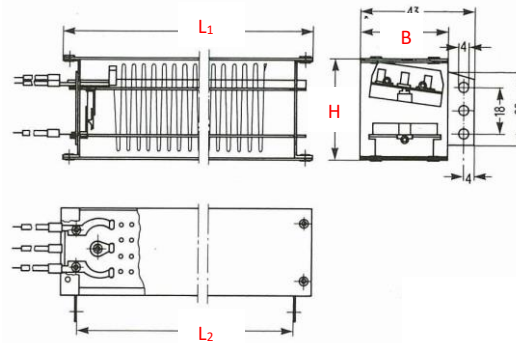
Air heating in fan heaters, bathroom rapid heaters, machines, ventilation systems etc.

Characteristics

- dynamic heating behavior
- good switching-off behavior
- uniform temperature profile
- little pressure loss

Design

- open wire heating element in Zig-Zag technology with mica carrier plates
- optional with thermostat (automatic reset or electrically self-holding) and temperature fuse
- connections acc. to customer specification
- Type 6220 robust version with additional metal cover



Technical Specifications

Type	Voltage [V]	Power minimum [W]	Power maximum [W]	for fans with roll length [mm]	outer dimensions			mounting length L ₂ [mm]	mark approval
					length L ₁ [mm]	width B [mm]	height H [mm]		
6252	230	450	800	60	75	34	39	61	UL / VDE
	240	500	900						
	120	200	800						
6255	230	2x 650	2x 1000	120	132	34	40	123	UL / VDE
	240	2x 750	2x 1100						
	120	2x 250	2x 750						
6220	230	2x 500	2x 1300	180	192	35	41,5	184,5	UL / VDE
	240	2x 600	2x 1500						
	120	2x 150	2x 1000						
6223	230	2x 650	2x 1100	180	197	34	40	184	UL / VDE
	240	2x 750	2x 1250						
1206	230	2x 600	2x 1000	240	260	42	40	246	---
	240	2x 650	2x 1100						
6226	230	2x 650	2x 1500	300	303	35	39	303	UL / VDE
	240	2x 750	2x 1700						

Further voltage and power ratings on request

Technical modifications reserved



PDB 1406 Index 4

Eichenauer Inc.

292 Sunapee Street · Newport NH 03773-1232
 ☎ +1 (603) 863-1454 · 📠 +1 (603) 863-1248 ✉ info@eichenauerusa.com
www.eichenauerusa.com

